

## MSM6648

---

### 100-DOT COMMON DRIVER

---

#### GENERAL DESCRIPTION

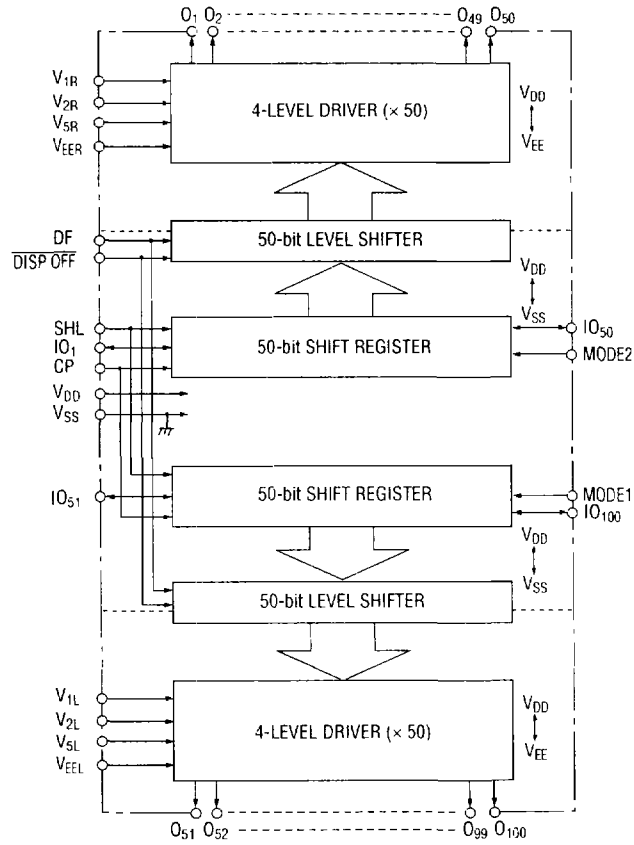
The MSM6648 is an LCD dot matrix common driver of a CMOS IC which consists of two 50-bit bi-directional shift registers, each bit level shifter, and a 4-level driver.

The MSM6648 is equipped with 100 LCD output pins. By connecting more than two MSM6648s in cascade, this LSI is applicable to a wide LCD panel.

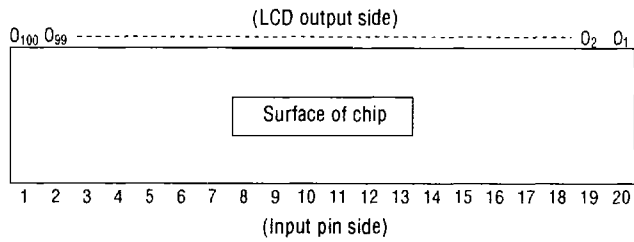
#### FEATURES

- Logic supply voltage : 2.7 to 5.5 V
- LCD drive voltage : 18 to 28 V
- Applicable LCD duty : 1/200 to 1/240
- Suitable for bath panel sizes of 400 (200 × 2) and 480 (240 × 2) in common numbers by the use of intermediate data input and 10-bit bypass function.
- Structure
  - TCP mounting with 35 mm wide film
  - Sn-plated
  - Outer lead pitch : 220 μm
  - User area : 10.8 mm

BLOCK DIAGRAM



**PIN CONFIGURATION (TOP VIEW)**



Pin	Symbol	Pin	Symbol
1	V <sub>1L</sub>	11	IO <sub>50</sub>
2	V <sub>2L</sub>	12	V <sub>SS</sub>
3	V <sub>5L</sub>	13	DF
4	V <sub>EEL</sub>	14	CP
5	MODE1	15	IO <sub>1</sub>
6	IO <sub>100</sub>	16	MODE2
7	DISP OFF	17	V <sub>EER</sub>
8	V <sub>DD</sub>	18	V <sub>5R</sub>
9	SHL	19	V <sub>2R</sub>
10	IO <sub>51</sub>	20	V <sub>1R</sub>

**ABSOLUTE MAXIMUM RATINGS**

Parameter	Symbol	Condition	Rating	Unit
Power Supply Voltage (1)	$V_{DD}$	$T_a = 25^\circ\text{C}$	-0.3 to +6.5	V
Power Supply Voltage (2)	$V_{DD}-V_{EE}$ *1	$T_a = 25^\circ\text{C}$	0 to 30	V
Input Voltage	$V_i$	$T_a = 25^\circ\text{C}$	-0.3 to $V_{DD} + 0.3$	V
Storage Temperature	$T_{STG}$	—	-30 to +85	$^\circ\text{C}$

\*1  $V_1 > V_2 > V_5 > V_{EE}$ ,  $V_{DD} \geq V_1 > V_2 \geq V_{DD} - 10\text{V}$ ,  $V_{EE} + 10\text{V} \geq V_5 > V_{EE}$   
 $V_1 = V_{1L} = V_{1R}$ ,  $V_2 = V_{2L} = V_{2R}$ ,  $V_5 = V_{5L} = V_{5R}$ ,  $V_{EE} = V_{EEL} = V_{EER}$

**RECOMMENDED OPERATING CONDITIONS**

Parameter	Symbol	Condition	Range	Unit
Power Supply Voltage (1)	$V_{DD}$	—	2.7 to 5.5	V
Power Supply Voltage (2)	$V_{DD} - V_{EE}$ *1	No load	14 to 28	V
		During LCD drive	18 to 28	V
Operating Temperature	Top	—	-20 to +75	$^\circ\text{C}$

\*1  $V_1 > V_2 > V_5 > V_{EE}$ ,  $V_{DD} \geq V_1 > V_2 \geq V_{DD} - 7\text{V}$ ,  $V_{EE} + 7\text{V} \geq V_5 > V_{EE}$   
 $V_1 = V_{1L} = V_{1R}$ ,  $V_2 = V_{2L} = V_{2R}$ ,  $V_5 = V_{5L} = V_{5R}$ ,  $V_{EE} = V_{EEL} = V_{EER}$

**ELECTRICAL CHARACTERISTICS**

**DC Characteristics**

( $V_{DD} = 2.7$  to  $5.5V$ ,  $T_a = -20$  to  $+75^\circ C$ )

Parameter	Symbol	Condition	Min.	Typ.	Max.	Unit
"H" Input Voltage	$V_{IH}$ *1	—	$0.8V_{DD}$	—	$V_{DD}$	V
"L" Input Voltage	$V_{IL}$ *1	—	$V_{SS}$	—	$0.2V_{DD}$	V
"H" Input Current	$I_{IH}$ *1	$V_I = V_{DD}$ , $V_{DD} = 5.5V$	—	—	1	$\mu A$
"L" Input Current	$I_{IL}$ *1	$V_I = 0V$ , $V_{DD} = 5.5V$	—	—	-1	$\mu A$
"H" Output Voltage	$V_{OH}$ *2	$I_O = -0.2mA$ , $V_{DD} = 2.7V$	$V_{DD} - 0.4$	—	—	V
"L" Output Voltage	$V_{OL}$ *2	$I_O = 0.2mA$ , $V_{DD} = 2.7V$	—	—	0.4	V
ON Resistance	$R_{ON}$ *4	$V_{DD} - V_{EE} = 25V$ , $ V_N - V_O  = 0.25V$ *3	—	—	2	$k\Omega$
Current Consumption	$I_{SS}$	$f_{CP} = 28kHz$ , $V_{DD} = 3.0V$	—	—	50	$\mu A$
	$I_{EE}$	$V_{DD} - V_{EE} = 25V$ , No load	—	—	300	
Input Capacitance	$C_I$	$f = 1MHz$	—	5	—	pF

\*1 Applicable to CP, IO<sub>1</sub>, IO<sub>50</sub>, IO<sub>1(K)</sub>, SHL, DF, DISP OFF, MODE1, MODE2.

\*2 Applicable to IO<sub>1</sub>, IO<sub>50</sub>, IO<sub>51</sub>, IO<sub>1(K)</sub>

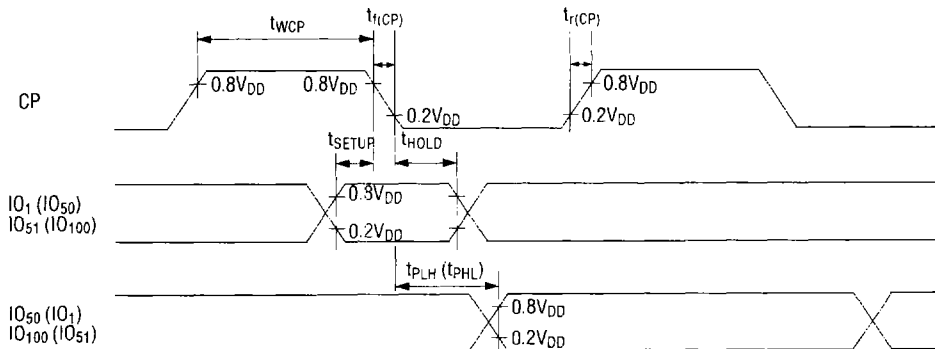
\*3  $V_N = V_{DD}$  to  $V_{EE}$ ,  $V_2 = 1/16 (V_{DD} - V_{EE})$ ,  $V_5 = 15/16 (V_{DD} - V_{EE})$ ,  $V_{DD} = V_1$ ,  $V_{DD} = 4.5V$

\*4 Applicable to O<sub>1</sub> to O<sub>1(K)</sub>

**Switching Characteristics**

( $V_{DD} = 2.7$  to  $5.5V$ ,  $T_a = -20$  to  $+75^\circ C$ ,  $C_L = 15pF$ )

Parameter	Symbol	Condition	Min.	Typ.	Max.	Unit
"H", "L" Propagation Delay Time	$t_{PLH}$ , $t_{PHL}$	—	—	—	3	$\mu s$
Clock Frequency	$f_{CP}$	—	—	—	1	MHz
CP Pulse Width	$t_{WCP}$	—	63	—	—	ns
Data Setup Time	$t_{SETUP}$	—	100	—	—	ns
Data Hold Time	$t_{HOLD}$	—	100	—	—	ns
Rise / Fall Time of CP	$t_r(CP)$ , $t_f(CP)$	—	—	—	20	ns



## FUNCTIONAL DESCRIPTION

### Pin Functional Description

- **IO, IO<sub>50</sub>, IO<sub>51</sub>, IO<sub>100</sub>**

These are I/O pins of the two 50-bit bi-directional shift registers.

- **SHL**

This is an input pin for selection of the shift direction of the two 50-bit bi-directional shift registers.

- **MODE1, MODE2**

These are input pins for selection of whether this shift register serves as a two 50-bit application or a 40-bit and 50-bit application.

Functions of SHL, MODE1 and MODE2 pins are shown as below.

SHL	MODE1	MODE2	Scan direction	Data input pin	Data output pin	Function
L	—	L	O <sub>1</sub> → O <sub>50</sub>	IO <sub>1</sub>	IO <sub>50</sub>	The scan data input into the IO <sub>1</sub> and IO <sub>51</sub> pins are shifted by trailing CP and are output from the IO <sub>50</sub> and IO <sub>100</sub> pins after the lapse of 50 clock pulses.
			O <sub>51</sub> → O <sub>100</sub>	IO <sub>51</sub>	IO <sub>100</sub>	
H	L	—	O <sub>50</sub> → O <sub>1</sub>	IO <sub>50</sub>	IO <sub>1</sub>	The scan data input into the IO <sub>100</sub> and IO <sub>50</sub> pins are shifted by trailing CP and are output from the IO <sub>51</sub> and IO <sub>1</sub> pins after the lapse of 50 clock pulses.
			O <sub>100</sub> → O <sub>51</sub>	IO <sub>100</sub>	IO <sub>51</sub>	
L	—	H	O <sub>11</sub> → O <sub>50</sub>	IO <sub>1</sub>	IO <sub>50</sub>	This condition means a mode of bypassing between the O <sub>1</sub> and O <sub>10</sub> pins. The scan data input into the IO <sub>1</sub> pin is stored in the O <sub>11</sub> pin and is output from the IO <sub>50</sub> pin after the lapse of 40 clock pulses. The operation in the O <sub>51</sub> to O <sub>100</sub> pins is the same as that in setting SHL to L and MODE2 to L.
			O <sub>51</sub> → O <sub>100</sub>	IO <sub>51</sub>	IO <sub>100</sub>	
H	H	—	O <sub>50</sub> → O <sub>1</sub>	IO <sub>50</sub>	IO <sub>1</sub>	This condition means a mode of bypassing between the O <sub>91</sub> and O <sub>100</sub> pins. The scan data input into the IO <sub>100</sub> pin is stored in O <sub>90</sub> and is output from the IO <sub>51</sub> pin after the lapse of 40 clock pulses. The operation in the O <sub>1</sub> to O <sub>50</sub> pins is the same as that in setting SHL to H and MODE1 to L.
			O <sub>90</sub> → O <sub>51</sub>	IO <sub>100</sub>	IO <sub>51</sub>	

- **CP**

This is a clock pulse input pin of the two 50-bit bi-directional shift registers. Scan data is shifted at the trailing edge of a clock pulse.

- **DF**

This is an input pin for a LCD drive waveform AC synchronization signal, which generally inputs a frame inversion signal. See the truth table.

- **DISP OFF**

This is an input pin to control the output pins  $O_1$  to  $O_{100}$ . Signals on the  $V_1$  level are output from the output pins  $O_1$  to  $O_{100}$ , independent of the shift register data during low signal input.

- **$O_1$  to  $O_{100}$**

These are 4-level driver output pins on this IC chip, directly corresponding to each bit shift register. DF signals combined to shift register data select and output any of four levels  $V_1$ ,  $V_2$ ,  $V_5$ , and  $V_{EE}$ .

- **$V_{DD}$ ,  $V_{SS}$**

These are power pins of this IC. The  $V_{DD}$  pin is generally set to 2.7 to 5.5 V.  $V_{SS}$  is a grounding pin, which is generally set to 0 V.

- **$V_{1L}$ ,  $V_{2L}$ ,  $V_{5L}$ ,  $V_{EEL}$ ,  $V_{1R}$ ,  $V_{1R}$ ,  $V_{5R}$ ,  $V_{EER}$**

These are LCD drive bias voltage pins. The  $V_1$  pin may be separated from the  $V_{DD}$  pin. Bias supply voltages are supplied from an external unit.

### Truth Table

DF	Shift register data	DISP OFF	Driver Out ( $O_1$ to $O_{100}$ )
L	L	H	$V_2$
L	H	H	$V_{EE}$
H	L	H	$V_5$
H	H	H	$V_1$
x	x	L	$V_1$

x : Don't care

### NOTES ON USE

Take note when turning power on and off.

The LCD drive on this IC chip requires a high voltage. When a high voltage is applied to it with the logic power supply floated, an overcurrent flows. This may damage the IC chip. Be sure to carry out the following power-on and power-off sequences.

When turning power on:

First turn on the logic circuits, then the LCD drivers, or turn on both of them at the same time.

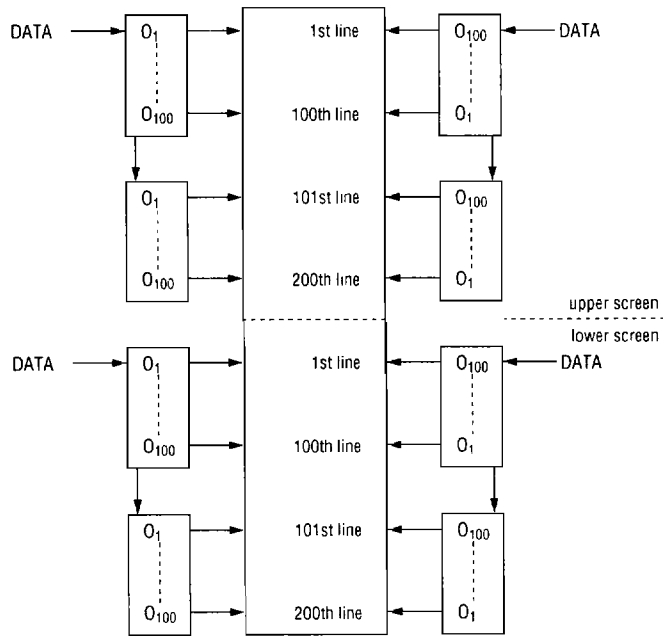
When turning power off:

First turn off the LCD drivers, then the logic circuits, or turn off both of them at the same time.

## APPLICATION CIRCUITS

## Example of connecting to LCD panel

In case of 400 (200 × 2) lines





In case of 480 (240 × 2) lines

